

BADUJET[®] Smart

Compact, built-in unit for beginners brings movement and fun to the water.

Field of application

For mounting into walls of all pool models, as a conversation piece, for fitness training, as a wave or bubble bath, for underwater massages (consult physician), for endless, no-turn swimming even in the smallest pool.

Design

A powerful jet pump is connected via suction and pressure lines with the plastic jet housing which is flush-mounted into the pool wall. The BADU pump draws the water in and returns it to the swimming pool with a powerful stream via an adjustable nozzle which swivels 60° in

For recommended accessories see page 32.

each direction. The large number of openings around the nozzle housing guarantees an extremely low priming flow. The pneumatic on/off switch and the regulation for the air intake, which gives the sparking bubble bath effect, are both integrated in the nozzle housing.

Materials used

Main housing ABS
 Nozzle housing ABS
 Interior parts ABS/stainless steel
 Suction/pressure line PVC
 Ball valves and fittings PVC

Technical data at 50 Hz	BADUJET Smart	21-50/44 GT 27°	21-50/43 GT 27°
Pump flow rate (m ³ /h)	3~/1~	45	40
Voltage	3~/1~	3 N~ 400/230 V	1~ 230 V
Power input P ₁ /-output P ₂ ¹⁾ (kW)	3~/1~	2.74/2.20	2.12/1.60
Number of nozzles (Ø 40 mm)		1	1
Flow pressure at nozzle (bar)	3~/1~	1.00	0.90
Flow velocity in centre 2 m from the nozzle (m/s)	3~/1~	1.00	1.00
Max. massage pressure (bar)	3~/1~	1.70	1.70
Multi-directional swivel nozzle (degrees)		60	60
Net weight (kg)	3~/1~	24.00/26.00	24.00/26.00

For more detailed information regarding the motor protection please see page 38.

Technical data may vary.

Article no.	Description	Variation	Voltage	Power output P ₂
232.1100.000	BADUJET Smart	Pre-assembly kit		
230.0400.000	BADUJET Smart	Final assembly kit	1~ 230 V	1.60 kW
230.0200.000	BADUJET Smart	Final assembly kit	3 N~ 400/230 V	2.20 kW
232.1300.001	Ball valve kit			
230.0010.000	Stainless steel hand rail for BADUJET Smart, 25 x 250 mm, complete			

When ordering a complete unit please indicate the article number of the pre-assembly kit **and** the final assembly kit.
 If you require a unit in the ball valve version, please also order the ball valve kit.



With plastic cover >



Scope of supply

Pre-assembly kit

- Plastic main housing
- Clamping ring, screw and seals

Final assembly kit

- Complete nozzle housing, with a swivelling nozzle and screws
- Plastic cover
- Suction/pressure line (63 mm)
- Switching device
- BADU 21-50/44 GT 27° or BADU 21-50/43 GT 27°

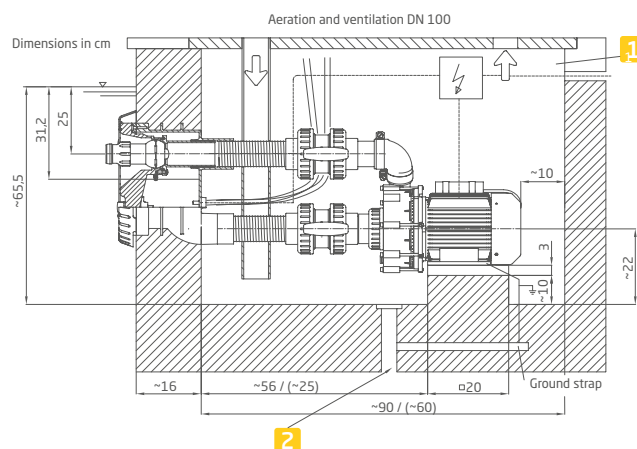
Note

If you use longer suction and pressure lines, please ensure that they are wide enough in order to avoid power loss.

Dimensions

Detailed dimensions available on request or at badu.de

Recommended installation example



Sufficiently dimensioned drain required

Dimensions in brackets - version without ball valves

1 Shaft width min. 70 cm

2 Floor drainage