

BADUJET Turbo Pro

Innovation, performance and sophisticated design combined.
Welcome to the limit.

Field of application

For mounting into walls of all pool models, up to a wall thickness of 7 mm, except for round pools.
For performance oriented professional workouts, relaxation, rehabilitation training, fitness or leisure.

Design

The built-in main housing uses innovative propeller technology to draw water in via the cover and return it to the swimming pool with a powerful stream. The system is driven by an efficient, fanless, fully encapsulated permanent magnet motor.
Power control as well as switching the power on and off is carried out via the integrated piezo buttons or a remote control.

Materials used

Main housing ABS
Nozzle housing ABS
Covers ABS/stainless steel
Intermediate flange PPE
Drive unit PPE/PP/stainless steel
Plain bearing SiC/SiC
Screws stainless steel

Scope of delivery standard assembly kit for design 1 and 2

Plastic main housing, suction cover, stainless steel cover design 1 or design 2, propeller unit, nozzle unit, piezo buttons, seals, screws.

Scope of delivery drive set 3 N~

Motor unit, frequency converter, control box, remote control, screws, shielded motor cable, 10 m, 25 m, 45 m.

Technical data at 50/60 Hz	BADUJET Turbo Pro	Frequency converter
Performance (kW)	3~	4.00
Voltage	3~	3~ 380-480 V
Net weight (kg)	3~	6.00
Technical data at 50/60 Hz	BADUJET Turbo Pro	Drive unit
Pump flow rate (m³/h)	3~	150-350
Power input P ₁ / output P ₂ ¹⁾ (kW)	3~	3.60/3.00
Number of nozzles (Ø 172 mm)	3~	1
Flow velocity (m/s)	3~	1.80-4.10
Multi-directional swivel nozzle (degrees)	3~	±5
Net weight (kg)	3~	51.50

For more detailed information regarding the motor protection please see page 143.

Technical data may vary.

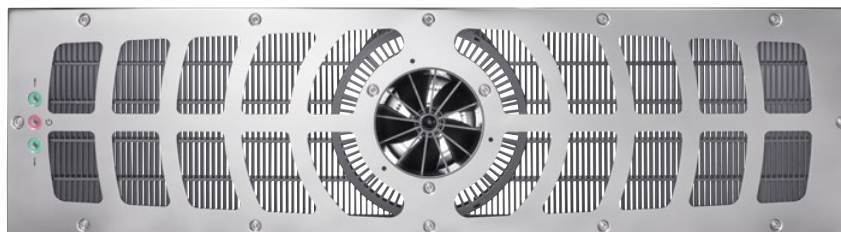
Article no	Description	Variation	Voltage	Power output P ₂
232.5100.000	BADUJET Turbo Pro ⁶⁾ , Design 1	Standard assembly kit		
232.5120.000	BADUJET Turbo Pro ⁶⁾ , Design 2	Standard assembly kit		
232.5200.000	BADUJET Turbo Pro	Drive set, 10 m	3 N~	3.00 kW
232.5200.001	BADUJET Turbo Pro	Drive set, 25 m	3 N~	3.00 kW
232.5200.002	BADUJET Turbo Pro	Drive set, 45 m	3 N~	3.00 kW
232.5000.402	BADUJET Turbo Pro additional kit for 8 - 17 mm wall strength			
232.5000.403	BADUJET Turbo Pro additional kit for 18 - 27 mm wall strength			

When ordering a complete unit please indicate the article number of the standard assembly kit and the drive set.

For pools with a wall thickness from 8 mm on request.



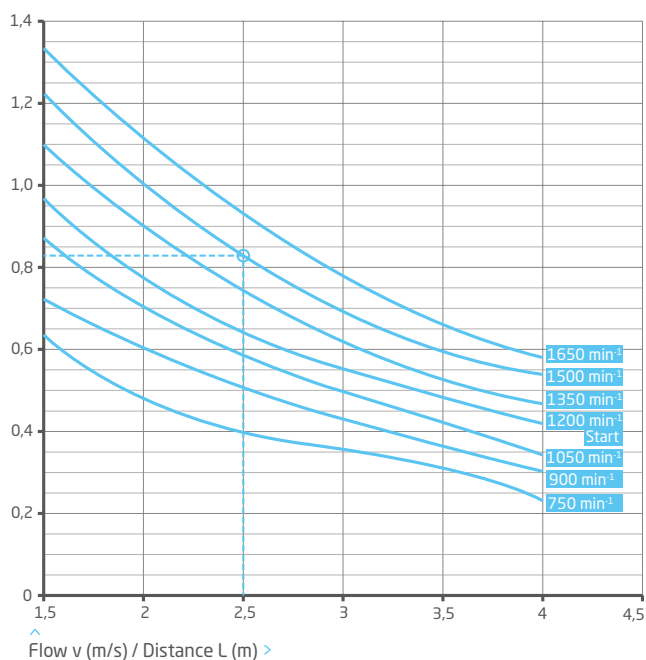
Design 1 >



Design 2 >



Flow speed characteristics

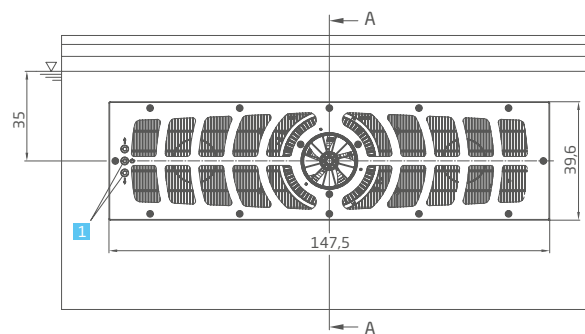


Example

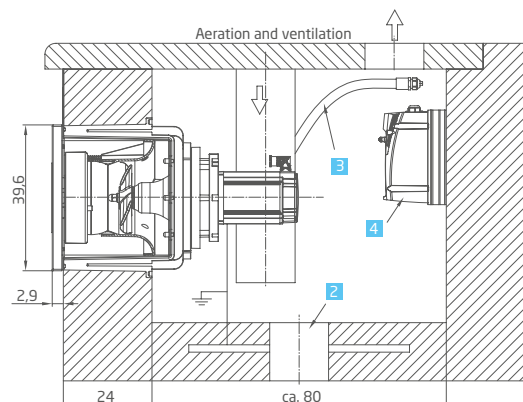
Approx 0.82 m/s flow speed at the centre of the flow jet at 1500 rpm and 2.50 m distance to the outlet nozzle.

Dimensions

Detailed dimensions available on request or at badu.de



Recommended installation example



Dimensions in cm

- 1 Piezo buttons
- 2 Floor drainage
- 3 Protective hose/piezo button wiring
- 4 Frequency converter