

Technical details

Model

Model:	EH 5/7	Motor:	SIZE 80-S 220-240V 50Hz 1,5kW
Family:	EH - Horizontal multistage	Material:	STANDARD
Suction:	Rp 1"1/4		
Delivery:	Rp 1"		

Application

Agriculture and irrigation
 Domestic
 Industrial

Pump type

Horizontal

Duty point

Flow rate:	5 m ³ /h
Head:	55,9 m
Pump efficiency:	57 %
NPSHr:	1,59 m
Nominal speed:	2818 rpm
Pump power (P2):	1,34 kW
Electropump power (P1):	1,66 kW

Fluid properties

Fluid:	Water
Density:	1 kg/dm ³
Kinematic viscosity:	1 cSt
Temperature:	20 °C
Vapor pressure:	2,204 kPa

Pump nameplate data

Flow rate:	2-7 m ³ /h
Head:	74-38 m
Maximum head:	81 m
Minimum head:	38 m
Max temperature:	110 °C
Net Weight + packaging:	18 Kg

Motor nameplate data

Brand:	
Model:	SIZE 80-S 220-240V 50Hz 1,5kW
Nominal power (P2):	1,5 kW
Nominal speed:	2850 rpm
Nominal frequency:	1~ / 50 Hz
Nominal voltage:	220-240 V
Nominal current:	8,2 A
Index of protection:	IP55
Insulation class:	F

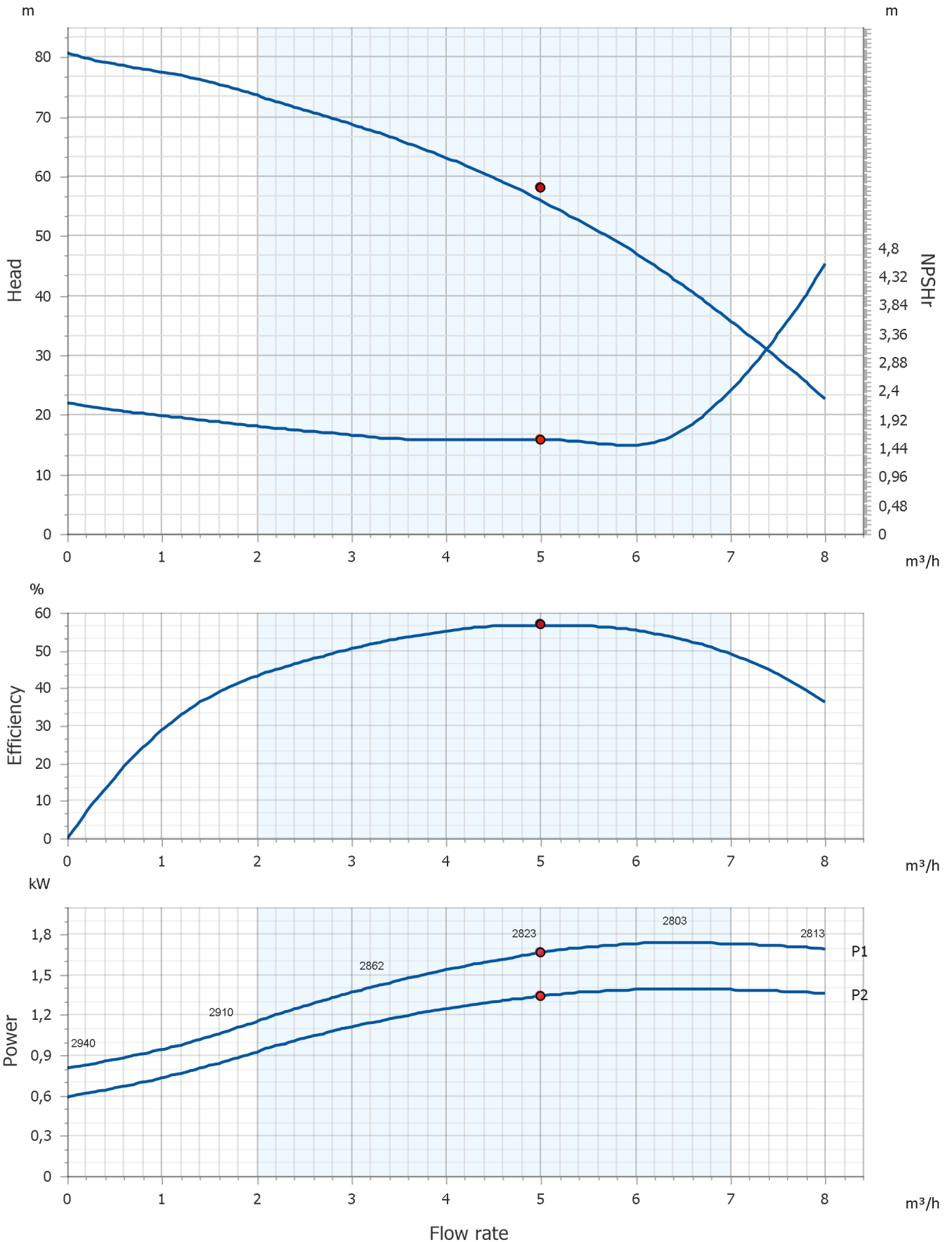
Control Panel

Capacitor:	μF
Voltage:	V
Index of protection:	

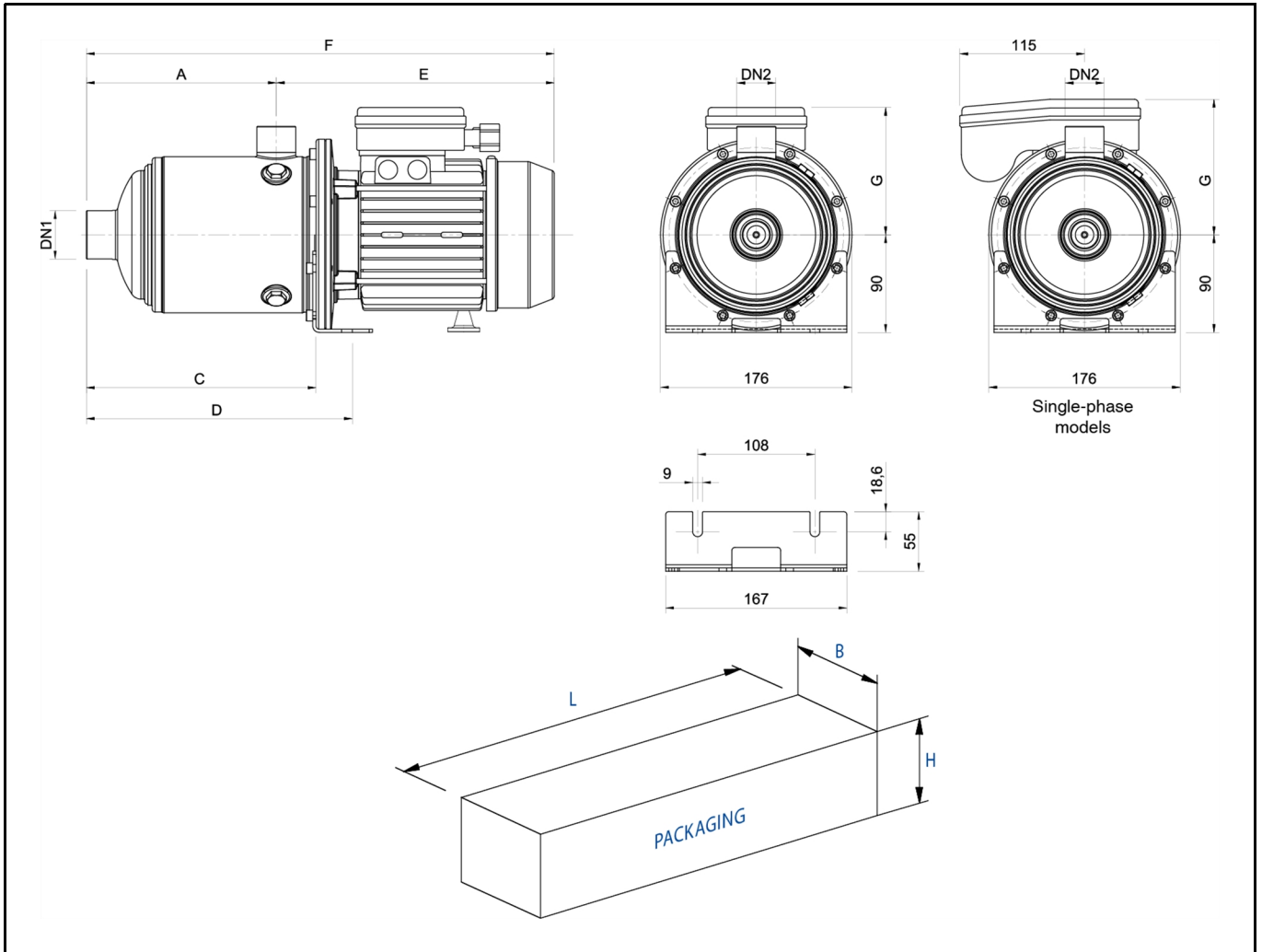
Control Panel

Capacitor:	μF
------------	----

Performance



Drawing



A (mm)	199
E (mm)	300
C (mm)	235,6
D (mm)	269
F (mm)	499
G (mm)	125
DN1	Rp 1"¼
DN2	Rp 1"
L (mm)	610
B (mm)	220
H (mm)	260