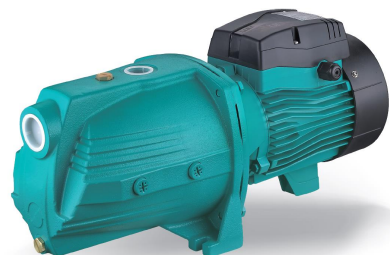
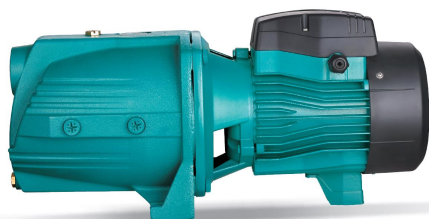


AJm (>1 kW) Cast iron self priming pump (>1 kW)



Application

- Transfer of clear water or other liquids chemically and physically comparable to water
- Suitable for pumping in a well, automatic garden watering, overpressure of water, etc ...

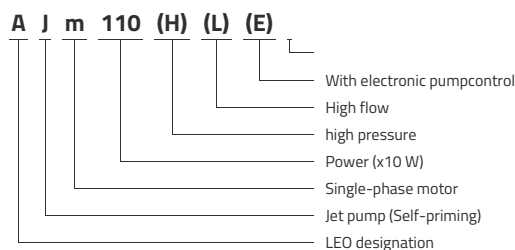
Pompe

- Special anti-rust treatment (cataphoresis) for the cast iron pump body and the support
- Stainless steel impeller
- AISI 304 stainless steel shaft
- Maximum liquid temperature: +40°C
- Maximum suction height: 8 m

Moteur

- Integrated thermal protection for single-phase motors
- Insulation class: F
- Protection class: IPX4
- Maximum ambient temperature: +40°C

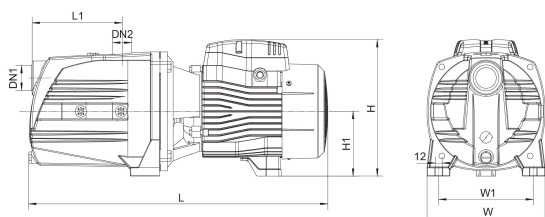
Identification codes



Technical data

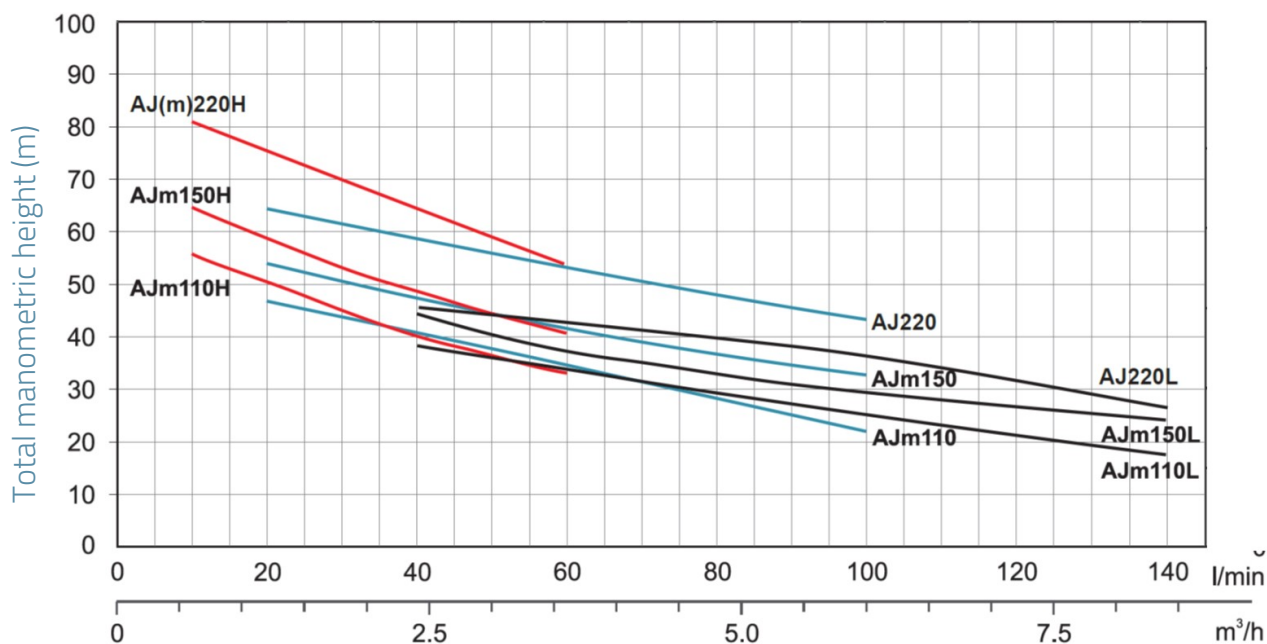
MODEL	kW	Q (m³/h)	0	0.6	0.9	1.2	1.5	1.8	2.1	2.4	2.7	3	3.6	4.2	4.8	6	7.2	8.4
		Q (l/min)	0	10	15	20	25	30	35	40	45	50	60	70	80	100	120	140
AJm110	1.1	55	50	48	47	45	44	42.5	40	39	38	35	31.5	31	23			
AJm110E	1.1	55	50	48	47	45	44	42.5	40	39	38	35	31.5	31	23			
AJm110H	1.1	60	55	55	49	49	46	44	40	39.5	38	36	30					
AJm110L	1.1	47	45	45	43	42	41	40	38	37.5	36.5	34	31	30	22	21	17	
AJm110LE	1.1	47	45	45	43	42	41	40	38	37.5	36.5	34	31	30	22	21	17	
AJ110 - 400v	1.1	55	50	48	47	45	44	42.5	40	39	38	35	31.5	31	23			
AJm150	1.5	60	55	56	53	52	51	49	45	46	45	39	38	33				
AJm150H	1.5	72	66	61	59	54	52	49.5	49	45	42	42	33					
AJm150L	1.5	54	52	49	46	44	43	42	41	40	39	38	35	32	29	24	24	
AJm150LE	1.5	54	52	49	46	44	43	42	41	40	39	38	35	32	29	24	24	
AJ150 - 400v	1.5	60	55	56	53	52	51	49	45	46	45	39	38	33				
AJ220 - 400v	2.2	55	53	49.5	52	48	47.5	46.5	49	45	44	46	41	43	40	34	26	

Dimensions



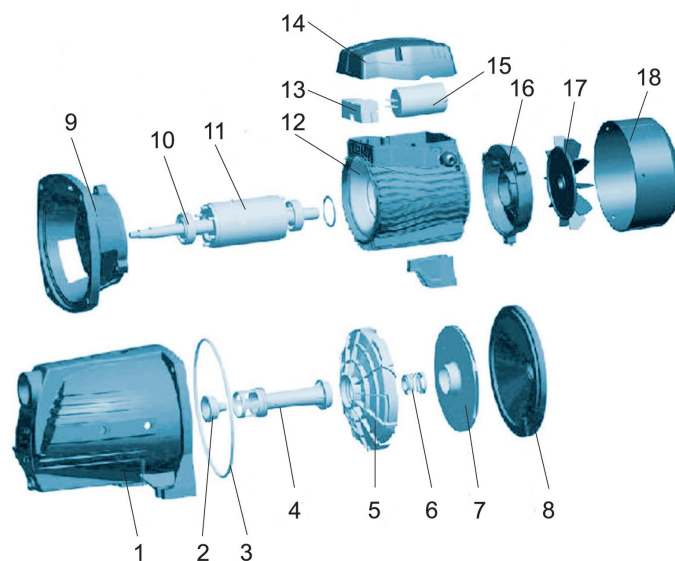
MODEL	DN1	DN2	L	W	H	L1	W1	H1
AJm110	1½	1	512	206	236	153	178	112
AJm110E	1½	1	512	206	236	153	178	112
AJm110H	1½	1	512	206	236	153	178	112
AJm110L	1½	1	512	206	236	153	178	112
AJm110LE	1½	1	512	206	236	153	178	112
AJ110 - 400v	1½	1	512	206	236	153	178	112
AJm150	1½	1	512	206	236	153	178	112
AJm150H	1½	1	512	206	236	153	178	112
AJm150L	1½	1	512	206	236	153	178	112
AJm150LE	1½	1	512	206	236	153	178	112
AJ150 - 400v	1½	1	512	206	236	153	178	112
AJ220 - 400v	1½	1	512	206	236	153	178	112

Hydraulic performance



Exploded view

No.	Type	Materials
1	Pump body	cast iron HT200
2	Nozzle	noryl (PPO)
3	O-ring	nitrile rubber (NBR)
4	Venturi tube	noryl (PPO)
5	Diffuser	noryl (PPO)
6	Mechanical seal	carbon / ceramic
7	Impeller	AISI 304 stainless steel
8	Pump bottom	cast iron HT200
9	Lantern	cast aluminum ZL102
10	Bearing	
11	Rotor	
12	Stator	
13	Terminal board	polycarbonate
14	Terminal Box	ABS
15	Capacitor	
16	Rear cover	cast aluminum ZL102
17	Fan	polypropylene
18	Fan cover	polypropylene



Packaging

MODEL	Weight (kg)	Length L (mm)	Width W (mm)	Height H (mm)
AJm110	24.5	572	225	259
AJm110E	24.5	572	225	259
AJm110H	24.5	572	225	259
AJm110L	24.5	572	225	259
AJm110LE	24.5	572	225	259
AJ110 - 400v	24.5	572	225	259
AJm150	24.5	572	225	259
AJm150H	24.5	572	225	259
AJm150L	24.5	572	225	259
AJm150LE	24.5	572	225	259
AJ150 - 400v	24.5	572	225	259
AJ220 - 400v	24.5	572	225	259

